

lever action mixer

self draining spout
adjustable temperature limit stop



Lever action mixer

to specify/order:

Please use the product reference shown below.

sequential lever action mixer

With flexible tails **SF5347CP**

thermostatic mixing valve

Single applications - 15mm **SF1037XX**

finish

Chrome plated CP.

approvals

TMV2 & TMV3 Approved
when installed with SF1037XX



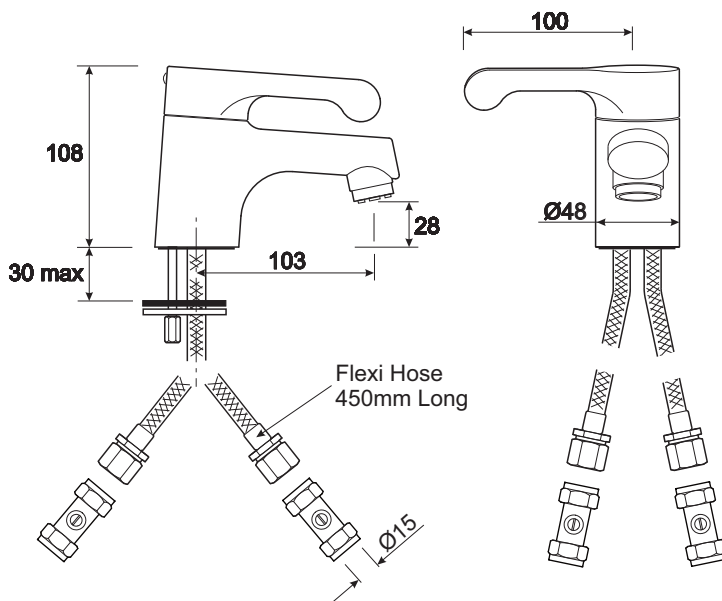
recommended operating

pressure

Minimum recommended pressure 0.2 bar
maximum static pressure 10 bar

note

Suitable only for reasonably balanced hot and cold water supplies from a common source.



Sequential Lever Action Mixer Tap – SF5347CP

Flow Rate Max (Ltrs/Min)	0.2 Bar	0.5 Bar	1.0 Bar	2.0 Bar	3.0 Bar	5.0 Bar
With Flow Limiters	2.5	3.6	5.5	6.0	6.0	6.0
Without Flow Limiters	2.5	4.0	8.2	9.6	9.6	11.4

All measurements shown are in millimeters. Drawing sizes are not to scale.



Hotels



Healthcare



Education



Commercial



Residential



Less Able

Twyford
Geberit Group

266